

Born for Industrial Safety



Archer™ (NJZ-FEL-G Series)

Hazardous Location LED Luminaire

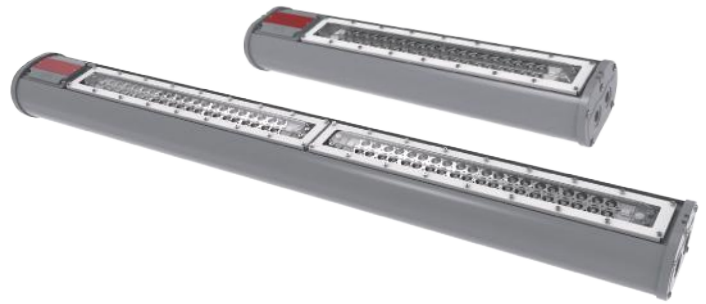


Specsheet-2021-09A EN

Archer™

Hazardous Location LED Luminaire

NJZ-FEL-G Series



Product description

The Archer™ NJZ-FEL-G Series LED Luminaire is designed for installations in hazardous areas with the presence of flammable gases or combustible dusts as defined by ATEX / IECEx for Zone 1/21 applications.

New generation is great for replacing existing fluorescent lighting systems and provides an incredible 100,000 (L70) maintenance-free hours at 25°C.

Features

- Low profile design allows installation in work areas with low ceiling heights
- Lens and LED driver field replaceable by qualified personnel on-site
- UV stable and impact resistant clear or diffused PC lens (standard) to minimize glare
- One wiring access cover with captive screws as standard, two (optional) for end-to-end feed-through wiring
- WAGO screwless terminal block with 5-pole 6mm² max conductor for easy wiring
- Single Lens model 20W to 40W; Double Lens model 40W to 100W
- High luminous efficacy - Up to 120 lm / W.
- Universal Voltage: AC120-277V (50/60Hz)
- Superior CRI75 compared to HPS, LPS, MH
- Ambient range from -40°C to +55°C (-20°C to 50°C for Emergency Model)
- Standard 12W 90mins operation time for emergency mode (6W 180mins optional)
- Resistant to shock and vibration

Compliance

IEC/ATEX Standard

IECEX: Ex db eb mb IIC T6 Gb(20 to 60W)
Ex db eb mb IIC T5 Gb(>60 to 100W)
Ex tb IIIC T80°C Db

ATEX: II 2 G Ex db eb mb IIC T6 Gb(20 to 60W)
II 2 G Ex db eb mb IIC T5 Gb(>60 to 100W)
II 2 D Ex tb IIIC T80°C Db

Zone 1,21
CE EMC/LVD/EMF
EN62471
IP66
IK10
5G vibration
1000hrs salt spray

Application

- Power Plants
- Heavy Industrials Storage Facility
- Paper mills
- Wastewater Treatment Plants
- Loading Docks Platforms
- Shipyards
- Chemical Processing Facility
- Petrochemical Processing Facility

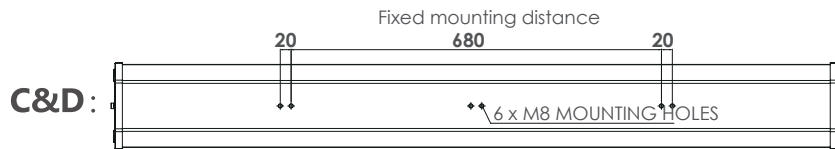
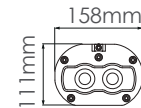
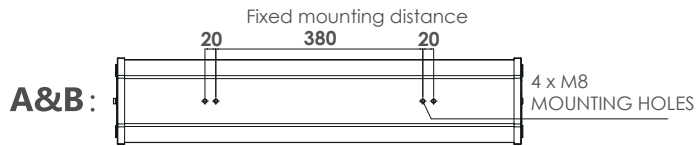
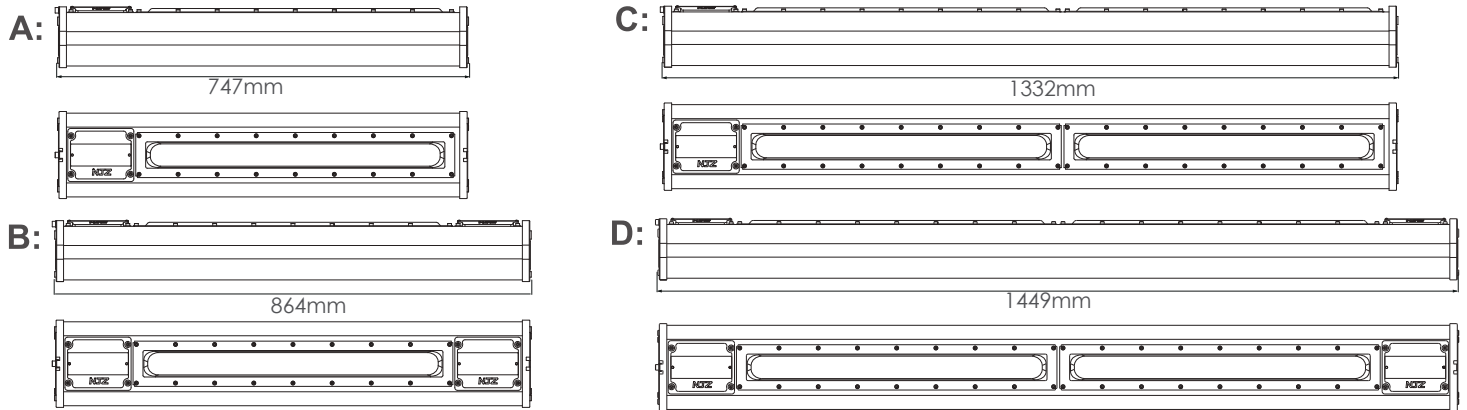
Warranty

5-Year Standard Warranty (Battery not included)*

* Subject to NJZ general T & C.

LED lumen Maintenance: L70 > 150,000 Operation Hours @ 55°C

Product Dimensions



unit: mm

Model	Net Weight (Product)	Product Dimension	Gross weight	Package Dimension (L×W×H)
A: NJZ-FEL-G-20/30/40	6.3kg	747×158×111 mm	7.3kg	809×220×170 mm
B: NJZ-FEL-G-20/30/40	6.7kg	864×158×111 mm	7.7kg	920×220×170 mm
C: NJZ-FEL-G-40/50/60/80/100	9.5kg	1332×158×111 mm	11.4kg	1388×220×170 mm
D: NJZ-FEL-G-40/50/60/80/100	9.9kg	1449×158×111 mm	12.6kg	1505×220×170 mm

Technical Parameter

Electrical

Specification		NJZ-FEL-G-20	NJZ-FEL-G-30	NJZ-FEL-G-40
Rated Power		20W	30W	40W
Input Voltage		AC120-277V		
Input Frequency		50/60Hz		
Input Current	(AC120V)	182mA	242mA	330mA
	(AC230V)	99mA	128mA	172mA
Power Factor		≥0.95		
Driver Efficiency		≥90%		
THD		<20%		
Surge Protection		6KV Line-to ground		
Battery material		Nickel-cadmium		
Expected battery*		3 Year		
Battery Duration*		Standard 12W 90mins@-20°C~+50°C(6W 180mins optional)		

*All values typical (tolerance +/-10%)

Optical

Specification		NJZ-FEL-G-20	NJZ-FEL-G-30	NJZ-FEL-G-40
Lumen Output		2400Lm	3600Lm	4400Lm
Lumens Per Watt		120Lm/W*		
Beam Angle		110°		
Correlated Color Temperature (CCT)		2700K/4000K/5000K/5700K		
Color Rendering Index (CRI)		Ra>70		

*value calculated based on 5000K ,varies to different spec

Environmental

Specification		NJZ-FEL-G-20	NJZ-FEL-G-30	NJZ-FEL-G-40
Ambient Operating Humidity		5%~95% RH		
Ambient Operating Temperature		-40°C~+55°C(-40°F~+122°F) -20°C~+50°C(Emergency Model)		
Optimal Operating Temperature		25°C (77°F)		
Gas Environment		T6		
Dust Environment		T80°C		

Mechanical

Specification		NJZ-FEL-G-20	NJZ-FEL-G-30	NJZ-FEL-G-40
Housing Material		Marine grade aluminum		
Endcap / Front cover		Copper-free (< 0.4%) die-cast aluminum		
Hardware		Stainless steel 316		
Color		Dark Grey (RAL7037)		
Finish		Polyster powder coating for uniform corrosion resistance		
Protection		IP66/IK10		
Lens Material		Polycarbonate		
Wiring		One access cover standard, two for through wiring		
Cable entries		4 x M25 - 2 at each end (standard, other optional)		
Termination		L,L1,L2,L3,N,PE; each Terminal 2x6mm ² max		
Mounting		Ceiling (Flush mount), Wall, Suspended (Chain /Eyebolt), Pole		

Technical Parameter

Electrical

Specification		NJZ-FEL-G-50	NJZ-FEL-G-60	NJZ-FEL-G-80	NJZ-FEL-G-100
Rated Power		50W	60W	80W	100W
Input Voltage		AC120-277V			
Input Frequency		50/60Hz			
Input Current	(AC120V)	402mA	497mA	651mA	825mA
	(AC230V)	212mA	264mA	340mA	435mA
Power Factor		≥0.95			
Driver Efficiency		≥90%			
THD		<20%			
Surge Protection		6KV Line-to ground			
Battery material		Nickel-cadmium			
Expected battery*		3 Year			
Battery Duration*		Standard 12W 90mins@-20°C~+50°C(6W 180mins optional)			

*All values typical (tolerance +/-10%)

Optical

Specification		NJZ-FEL-G-50	NJZ-FEL-G-60	NJZ-FEL-G-80	NJZ-FEL-G-100
Lumen Output		5500Lm	6800Lm	8700Lm	10000Lm
Lumens Per Watt		120Lm/W*			
Beam Angle		110°			
Correlated Color Temperature (CCT)		2700K/4000K/5000K/5700K			
Color Rendering Index (CRI)		Ra>70			

*value calculated based on 5000K ,varies to different spec

Environmental

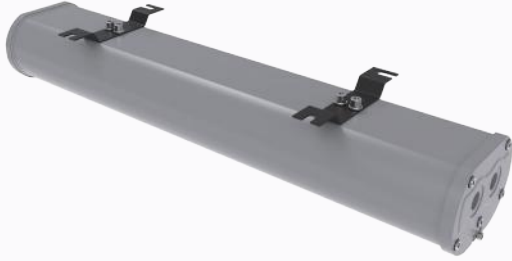
Specification		NJZ-FEL-G-50	NJZ-FEL-G-60	NJZ-FEL-G-80	NJZ-FEL-G-100
Ambient Operating Humidity		5%~95% RH			
Ambient Operating Temperature		-40°C~+55°C(-40°F~+122°F) -20°C~+50°C(Emergency Model)			
Optimal Operating Temperature		25°C (77°F)			
Gas Environment		T6		T5	
Dust Environment		T80°C			

Mechanical

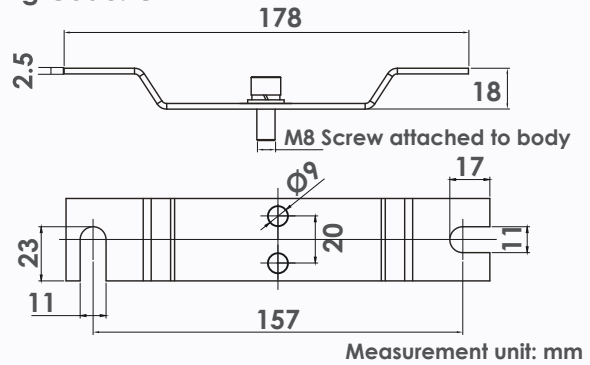
Specification		NJZ-FEL-G-50	NJZ-FEL-G-60	NJZ-FEL-G-80	NJZ-FEL-G-100
Housing Material		Marine grade aluminum			
Endcap / Front cover		Copper-free (< .4%) die-cast aluminum			
Hardware		Stainless steel 316			
Color		Dark Grey (RAL7037)			
Finish		Polyster powder coating for uniform corrosion resistance			
Protection		IP66/IK10			
Lens Material		Polycarbonate			
Wiring		One access cover standard, two for through wiring			
Cable entries		4 x M25 - 2 at each end (standard, other optional)			
Termination		L,L1,L2,L3,N,PE; each Terminal 2x6mm² max			
Mounting		Ceiling (Flush mount), Wall, Suspended (Chain /Eyebolt), Pole			

Mounting

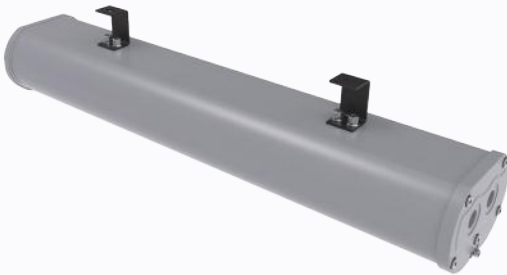
Low Ceiling Mount Bracket



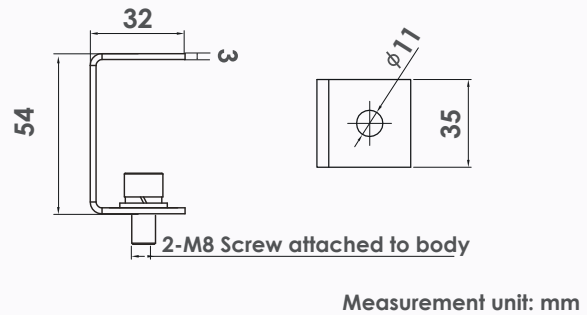
Ordering Code: CB-L1



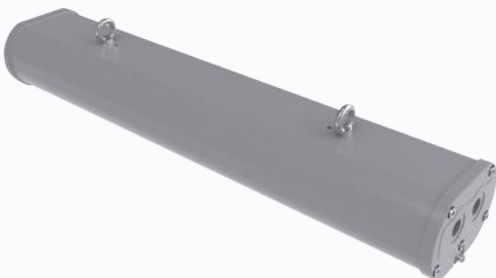
High Ceiling Mount Bracket



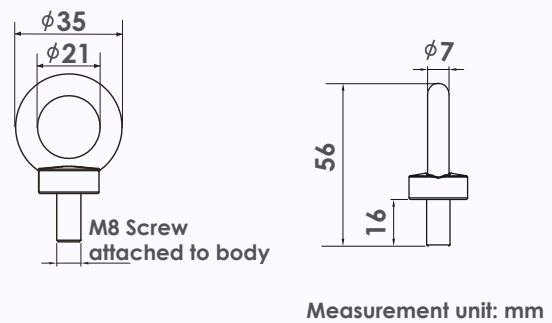
Ordering Code: CB-H1



Eyebolt Mount



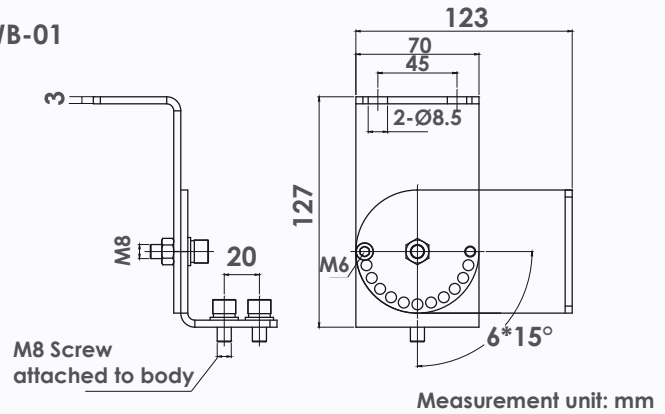
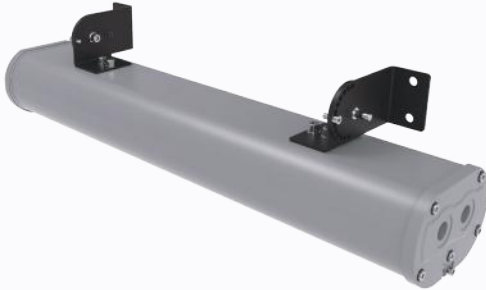
Ordering Code: EB-1



Mounting

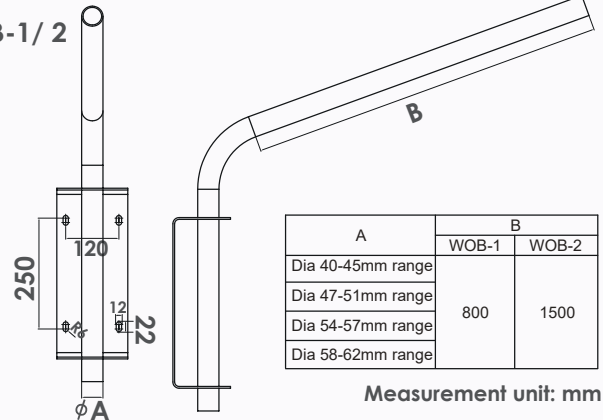
Wall Mount Swivel Bracket

Ordering Code: WB-01



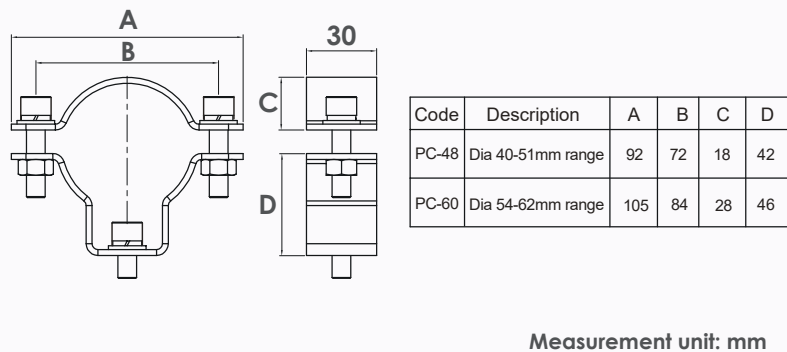
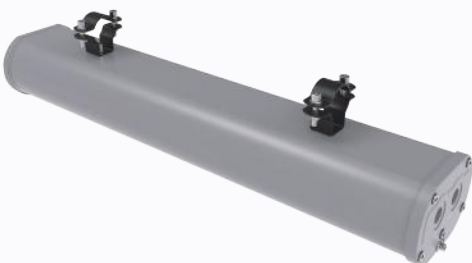
Wall mounting outreach bracket

Ordering Code: WOB-1/ 2



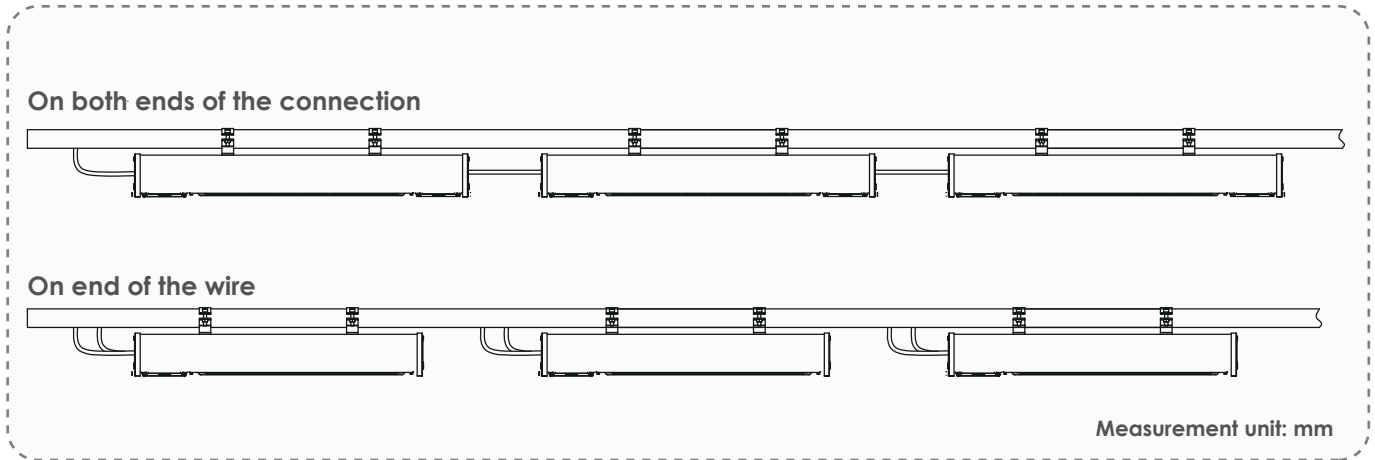
Pole Mount Clamp

Ordering Code: PC-48/60



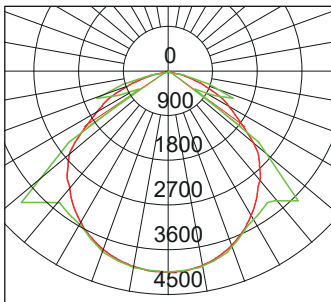
Through Wiring

In-out connection can be made on one or both sides for quick installation



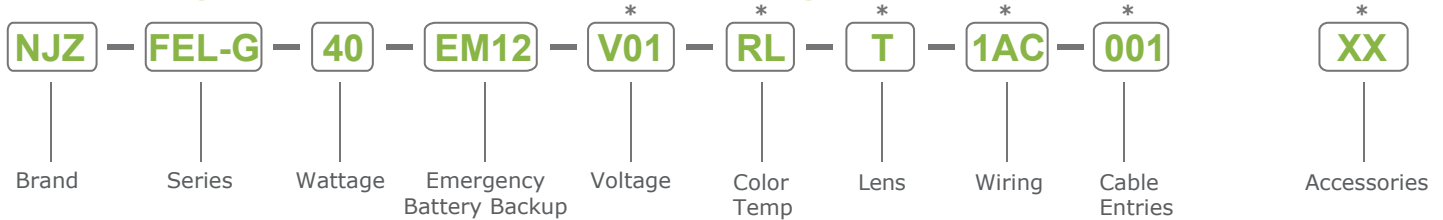
Photometric

110 Degree



— V 0.0DEG PLAN, 112.1
— H 0.0DEG PLAN, 109.1

Ordering Information and Mounting Accessories



*: Suffix not within nomenclature as per Certification, for marketing purpose only

BRAND	SERIES	WATTAGE	EMERGENCY BATTERY BACKUP	VOLTAGE
NJZ	FEL-G	20=20W 30=30W 40=40W* 50=50W 60=60W 80=80W 100=100W (*please specify if single or double Lens)	BLANK=Standard (Non Emergency) EM6=6W 180mins EM12=12W 90mins (Emergency Standard) *Emergency models standard with Single Access Cover(-1AC)	V01= AC120-277V

COLOR TEMP	LENS TYPE	WIRING	CABLE ENTRIES*
RN= 2700K RL= 4000K RZ= 5000K RM=5700K RD=Red GN=Green BU=Blue AM=Amber	T=Transparent PC F=Frosted PC	1AC= Single Access Cover (standard) 2AC= Dual Access Cover	001 = 4 X M20 X 1.5 002 = 4 X M25 X 1.5 (Standard) 003 = 4 X NPT 1/2 004 = 4 X NPT 3/4 *Contact sales for selection of cable diameter or specsheet of plug and cable gland

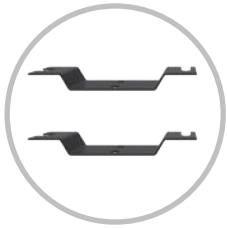
ACCESSORIES

- CB-L1=Low Ceiling Mount Bracket 1 pair
- CB-H1=High Ceiling Mount Bracket 1 pair
- EB-1=Eyebolt 1 pair
- WB-01=Wall Mount Swivel Bracket 1 pair
- WOB-1=0.8M wall mounting outreach bracket x1
- WOB-2=1.5M wall mounting outreach bracket x1
- PC-48=Dia 40-51mm range SS316 pole clamp 1 pair
- PC-60=Dia 54-62mm range SS316 pole clamp 1 pair
- SC05=3ft. safety Cable kit
- R-D40=Replacement Driver x1 (20~40W models)
- R-D60=Replacement Driver x1 (50~60W models)
- R-D100=Replacement Driver x1 (70~100W models)
- R-T=Replacement PC Lens, clear x1
- R-F=Replacement PC Lens, frosted x1
- R-B=Replacement Battery Pack x1

INSTALLATION TIPS

- 1.Wago Termination**
Conductor range: 0.5 ... 4 (6) mm² (20 ... 10 AWG)
Rated voltage: 800 V
Rated current/(max. current): 32 A (41 A)
- 2.Cable gland & Plug**
Standard: Plastic plugs x1 + Plastic Cable gland x1 for 1AC= Single Access Cover
Standard: Plastic plugs x3 + Plastic Cable gland x1 for 2AC= Dual Access Cover
Optional: Contact sales for other selections
- 3.Dimming**
Standard: 0-10V Dimming (10-100%)
- 4.Emergency**
Auto self-diagnostics function applied minimum 30 seconds test once a week to verify the status as per LED indicator





CB-L1

Low Ceiling Mount
Bracket 1 pair



CB-H1

High Ceiling Mount
Bracket 1 pair



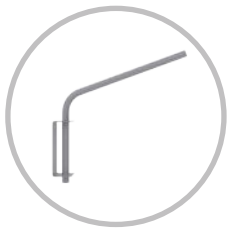
EB-1

Eyebolt 1 pair



WB-01

Wall Mount Swivel
Bracket 1 pair



WOB-1/2

wall mounting
outreach bracket x1



PC-48/60

SS316 pole clamp 1 pair



SC05

Stainless Steel
Safety Cable kit



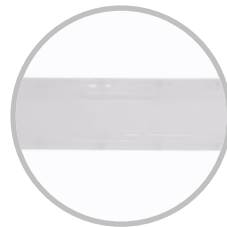
R-D40/D60/D100

Replacement Driver x1



R-T

Replacement PC Lens,
clear x1



R-F

Replacement PC Lens,
frosted x1



R-B

Replacement Battery Pack x1