

**Born for Industrial Safety**



**Archer™** (NJZ-FLL Series)

Harsh Location LED Luminaire



Specsheet-2021-09A EN

# Archer™

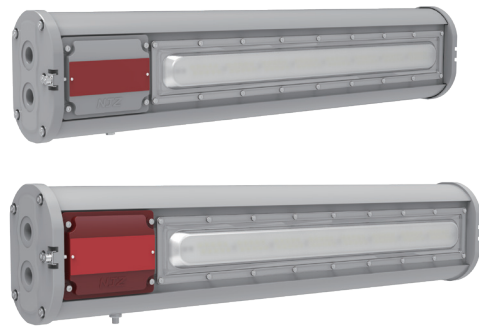
## Harsh Location LED Luminaire

### NJZ-FLL Series

## Product description

The Archer™ NJZ-FLL Series LED Luminaire built for installations in heavy and harsh industrial applications where moisture, dirt, dust, corrosion and vibration may be present, or NEMA 3 and 4X areas where wind, water, snow or high ambient can be expected.

New generation is a perfect solution to replace existing fluorescent lighting systems (T12, T8 and T5HO) with four wattages from 3,500 to 13,000 lumens and provides up to 1,500 lumens illumination for 90 minutes of emergency lighting during a power outage.



## Features

- Low profile design allows installation in work areas with low ceiling heights
- Lens and LED driver field replaceable by qualified personnel on-site
- UV stable and impact resistant diffused polycarbonate lens to minimize glare
- Wiring access cover with captive screws for secure installation
- Two entries each side for end to end feed through wiring
- Screwless terminal block with 5-pole 6mm<sup>2</sup> max conductor for easy wiring
- Single Lens model 25W to 50W; Double Lens model 75W to 100W
- Universal Voltage: AC100-277V(50/60Hz)
- Superior CRI 70 compared to HPS, LPS, MH
- Ambient range from - 40°C to +55 °C (0°C to 40°C for Emergency Model)
- Standard 12W 90mins operation time for emergency mode
- Resistant to shock and vibration

## Compliance

CE EMC / LVD / EMF  
EN 62471  
IP66  
IK10  
5G  
1000hrs salt spray

## Application

**(Non-hazardous harsh and heavy industrial locations)**

- Mining
- Food processing
- Marine
- Wastewater treatment
- Heavy manufacturing
- General wash down areas

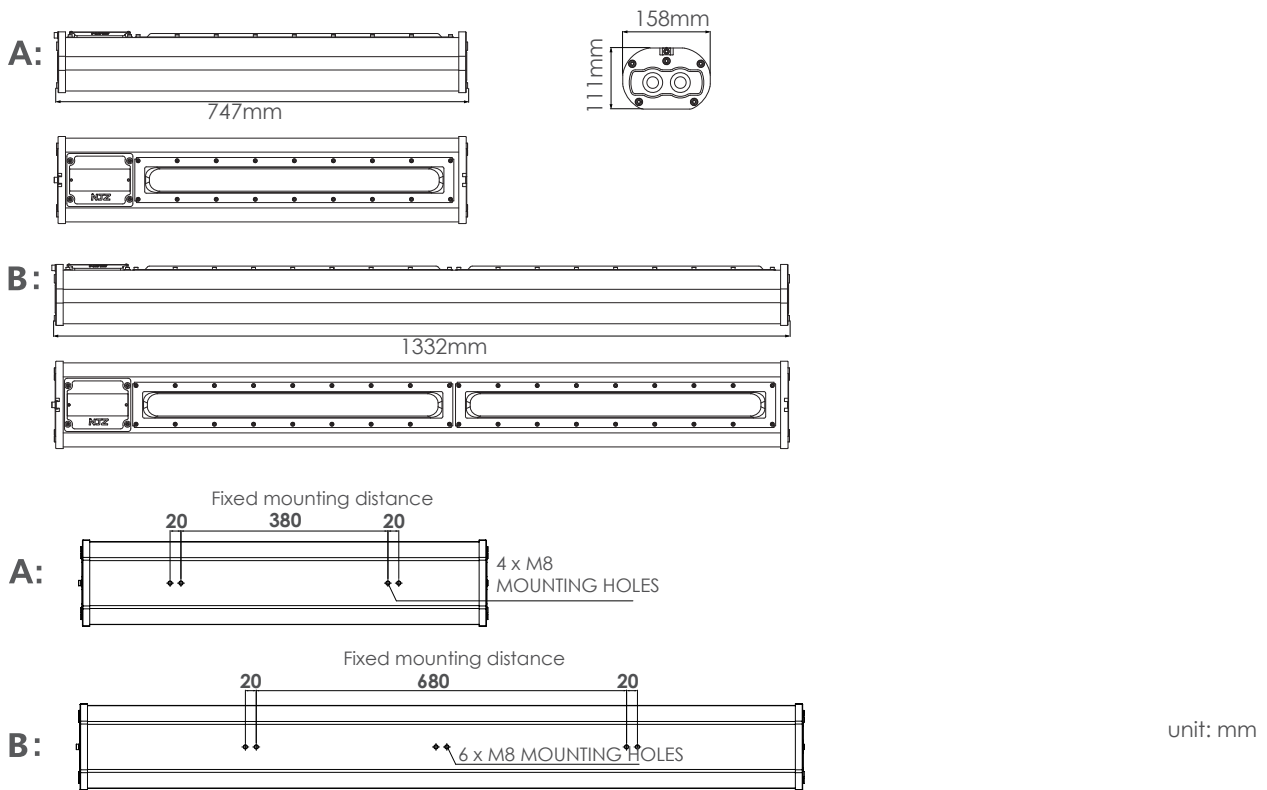
## Warranty

5-Year Standard Warranty (Battery not included)\*

\*Subject to NJZ general T & C.

LED lumen Maintenance: L70>150,000 Operation Hours@55°C

### Product Dimensions



Model	Net Weight (Product)	Product Dimension	Gross weight	Package Dimension (L×W×H)
<b>A: NJZ-FLL-25/50</b> (Standard & Emergency)	6.3kg	747×158×111 mm	7.3kg	809×220×170 mm
<b>B: NJZ-FLL-75/100</b> (Standard & Emergency)	9.5kg	1332×158×111 mm	11.4kg	1388×220×170 mm



## Technical Parameter

### Electrical

Specification	NJZ-FLL-25	NJZ-FLL-50	NJZ-FLL-75	NJZ-FLL-100	
Rated Power	25W	50W	75W	100W	
Input Voltage	AC100-277V				
Input Frequency	50/60Hz				
Input Current	(AC120V)	263mA	526mA	789mA	1053mA
	(AC230V)	114mA	229mA	343mA	438mA
Power Factor	≥0.95				
Driver Efficiency	≥90%				
THD	<20%				
Surge Protection	6KV Line-to ground				
Battery material	Nickel-cadmium				
Expected battery*	3 Year				
Battery Duration*	Standard 12W 90mins@0°C~+40°C				

\*All values typical (tolerance +/-10%)

### Optical

Specification	NJZ-FLL-25	NJZ-FLL-50	NJZ-FLL-75	NJZ-FLL-100
Lumen Output	3566Lm	6343Lm	10206Lm	12911Lm
Lumens Per Watt	125Lm/W*			
Beam Angle	110°			
Correlated Color Temperature (CCT)	2700K/4000K/5000K/5700K			
Color Rendering Index (CRI)	Ra>70			

\*value calculated based on 5000K ,varies to different spec

### Environmental

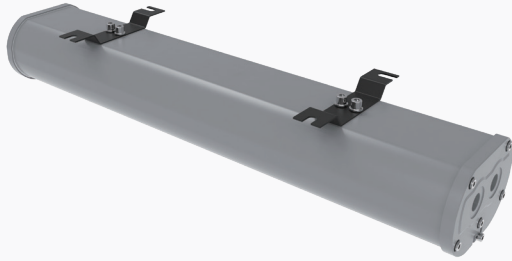
Specification	NJZ-FLL-25	NJZ-FLL-50	NJZ-FLL-75	NJZ-FLL-100
Ambient Operating Humidity	5%~95% RH			
Ambient Operating Temperature	-40°C~+55°C(-40°F~+122°F) 0°C~+40°C(Emergency Model)			
Optimal Operating Temperature	25°C (77°F)			

### Mechanical

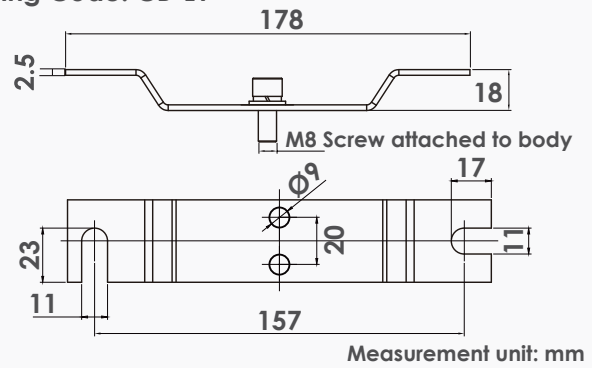
Specification	NJZ-FLL-25	NJZ-FLL-50	NJZ-FLL-75	NJZ-FLL-100
Housing Material	Marine grade aluminum			
Endcap / Front cover	Copper-free (< .4%) die-cast aluminum			
Hardware	Stainless steel 316			
Color	Dark Grey (RAL7037)			
Finish	Polyster powder coating for uniform corrosion resistance			
Protection	IP66/IK10			
Lens Material	Polycarbonate			
Cable entries	4 x M20 - 2 at each end (standard, other optional)			
Termination	L,L1,L2,L3,N,PE; each Terminal 2x6 mm <sup>2</sup> max			
Mounting	Ceiling (Flush mount ), Wall, Suspended (Chain /Eyebolt ), Pole			

## Mounting

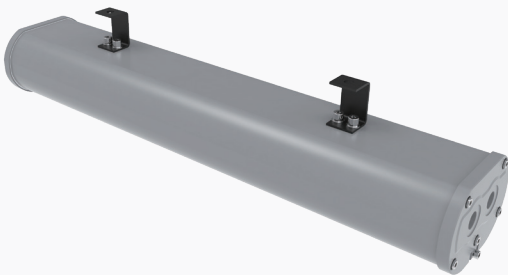
### Low Ceiling Mount Bracket



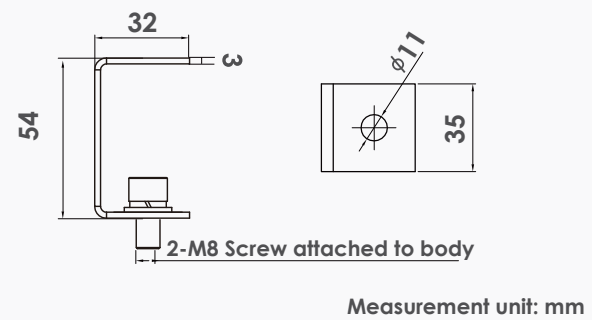
Ordering Code: CB-L1



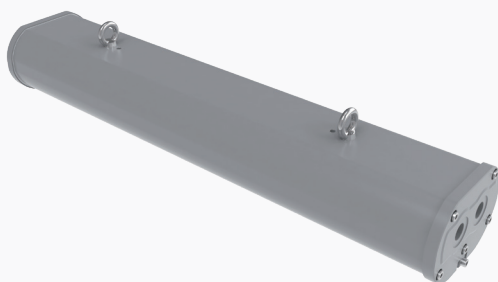
### High Ceiling Mount Bracket



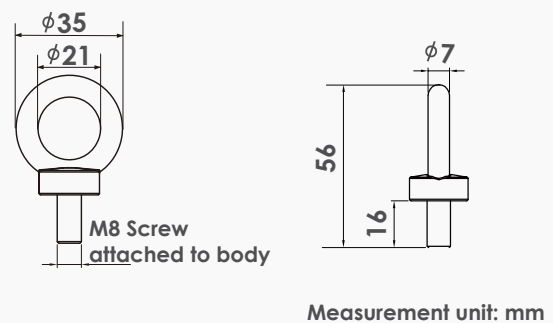
Ordering Code: CB-H1



### Eyebolt Mount



Ordering Code: EB-1



## Mounting

### Wall Mount Swivel Bracket

Ordering Code: WB-01

Measurement unit: mm

### Wall mounting outreach bracket

Ordering Code: WOB-1/ 2

A	B	
	WOB-1	WOB-2
Dia 40-45mm range	800	1500
Dia 47-51mm range		
Dia 54-57mm range		
Dia 58-62mm range		

Measurement unit: mm

### Pole Mount Clamp

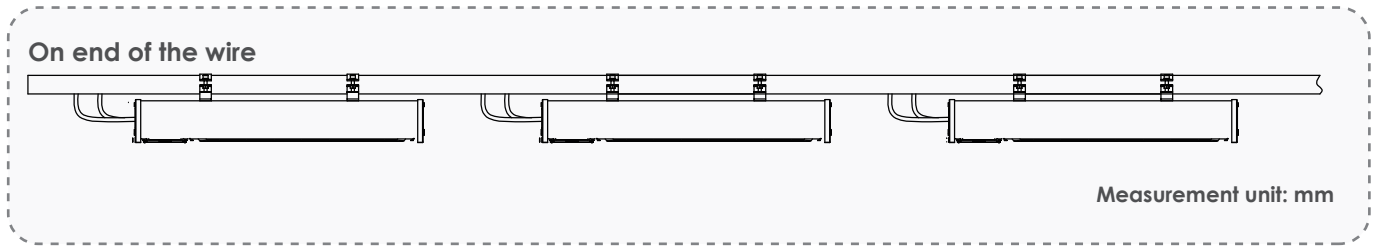
Ordering Code: PC-48/60

Code	Description	A	B	C	D
PC-48	Dia 40-51mm range	92	72	18	42
PC-60	Dia 54-62mm range	105	84	28	46

Measurement unit: mm

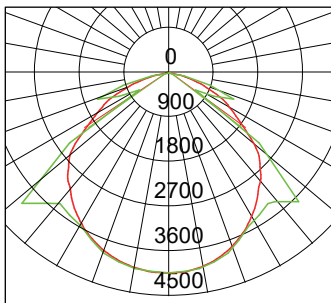
## Through Wiring

In-out connection can be made on one or both sides for quick installation



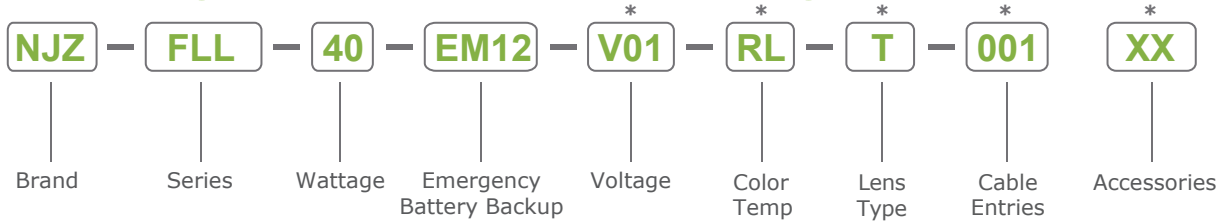
## Photometric

110 Degree



— V 0.0DEG PLAN, 112.1  
— H 0.0DEG PLAN, 109.1

## Ordering Information and Mounting Accessories



\*: Suffix not within nomenclature as per Certification, for marketing purpose only

<u>BRAND</u>	<u>SERIES</u>	<u>WATTAGE</u>	<u>EMERGENCY BATTERY BACKUP</u>	<u>VOLTAGE</u>
NJZ	FLL	25=25W 50=50W 75=75W 100=100W	EM12=12W 90mins BLANK=Standard non-Emergency model	V01= AC100-277V

<u>COLOR TEMP</u>	<u>LENS TYPE</u>	<u>CABLE ENTRIES</u>
RN=2700K RL=4000K RZ=5000K RM=5700K RD=Red GN=Green BU=Blue AM=Amber	T=Transparent PC F=Frosted PC	001 = 4 X M20 X 1.5 (Standard) 002 = 4 X M25 X 1.5

### ACCESSORIES

- CB-L1=Low Ceiling Mount Bracket 1 pair
- CB-H1=High Ceiling Mount Bracket 1 pair
- EB-1=Eyebolt 1 pair
- WB-01=Wall Mount Swivel Bracket 1 pair
- WOB-1=0.8M wall mounting outreach bracket x1
- WOB-2=1.5M wall mounting outreach bracket x1
- PC-48=Dia 40-51mm range SS316 pole clamp 1 pair
- PC-60=Dia 54-62mm range SS316 pole clamp 1 pair
- SC05=3ft. safety Cable kit
- R-T=Replacement PC Lens, clear x1
- R-F=Replacement PC Lens, frosted x1
- R-B=Replacement Battery Pack x1

### INSTALLATION TIPS

- 1.Wago Termination**  
Conductor range: 0.5 ... 4 (6) mm<sup>2</sup> (20 ... 10 AWG)  
Rated voltage: 800 V  
Rated current/(max. current): 32 A (41 A)
- 2.Cable gland & Plug**  
Standard: Plastic plugs x1 + Plastic Cable gland x1  
for 1AC= Single Access Cover  
Optional: Contact sales for other selections
- 3.Dimming**  
Unavailable
- 4.Emergency**  
Auto self-diagnostics function applied  
minimum 30 seconds test once a week to verify  
the status as per LED indicator







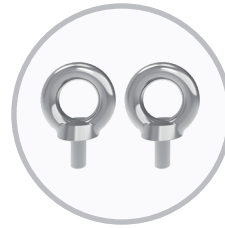
### CB-L1

Low Ceiling Mount  
Bracket 1 pair



### CB-H1

High Ceiling Mount  
Bracket 1 pair



### EB-1

Eyebolt 1 pair



### WB-01

Wall Mount Swivel  
Bracket 1 pair



### WOB-1/2

wall mounting  
outreach bracket x1



### PC-48/60

SS316 pole clamp 1 pair



### SC05

Stainless Steel  
Safety Cable kit



### R-T

Replacement PC Lens,  
clear x1



### R-F

Replacement PC Lens,  
frosted x1



### R-B

Replacement Battery Pack x1